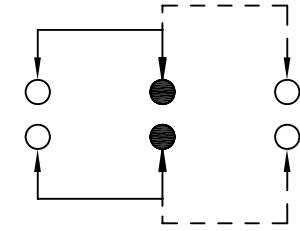
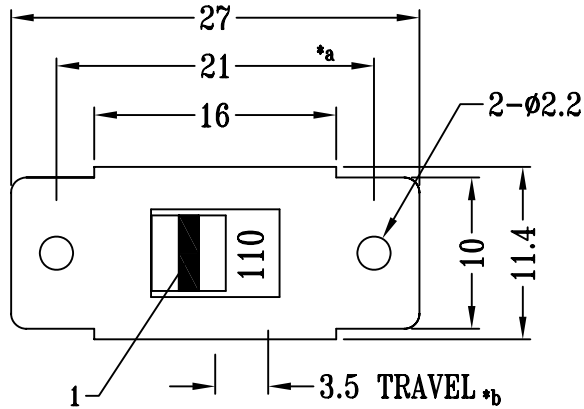
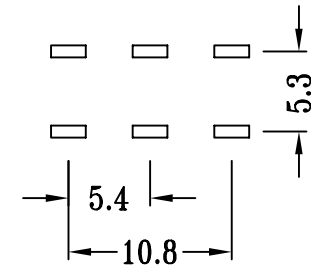
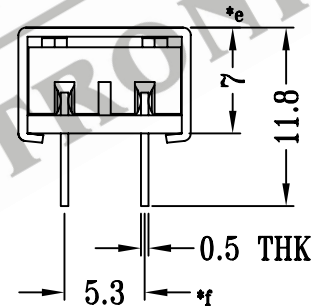
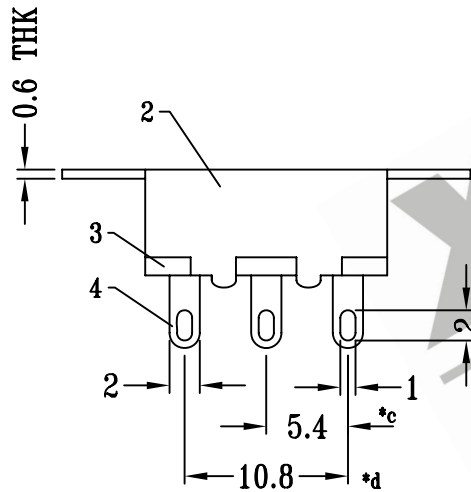


CAD FILE:



SCHEMATIC (NON-SHORTING)



P.C.B LAYOUT

注:带"*"表示关键尺寸(6个)

| | | | | TOLERANCE UNLESS SPECIFIED | | SHENZHEN XIEJIA ELECTRONICS CO.,LTD. | | | | |
|-----|--------------|-----------------|------|----------------------------|---|--------------------------------------|------------|----------------------------|-----------|------------|
| | | | | WITHIN: 1.5±0.1mm | | ISSUE | DATE | DESCRIPTIONS | | APPD. |
| | | | | OVER: 1.5±0.2mm | | | | | | |
| 8 | | | | | | | | | | |
| 7 | | | | | | | | | | |
| 6 | CONTACT CLIP | PBS | 2 | Ag CLAD | | | | | | |
| 5 | SPRING WIRE | STAINLESS STEEL | 1 | NATURAL | | | | | | |
| 4 | TERMINAL | BRASS STRIP | 6 | Ag PLATED OVER Ni PLATED | TITLE : VERTICAL SLIDE SWITCH | | UNIT : MM | DRWG NO.: XJ-DR-SS22G07-00 | | |
| 3 | BASE | PHENOLIC RESIN | 1 | NATURAL | MODEL: SS-22G07 | | SCALE: 2:1 | DWN. | ZHOUYU | 2002-12-28 |
| 2 | FRAME | STEEL STRIP | 1 | Zn PLATED | | | | CHK'D | FANGYING | 2002-12-28 |
| 1 | KNOB | PC | 1 | BLACK | | | | APPD. | KANGXINAN | 2002-12-28 |
| NO. | PART NAME | MATERIAL | Q'TY | FINISHING | ALL MATERIALS MUST BE COMPLIANT TO ROHS | | | | | |